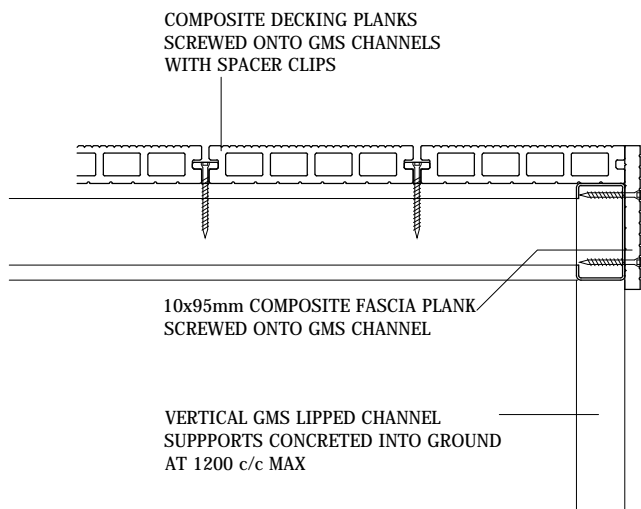


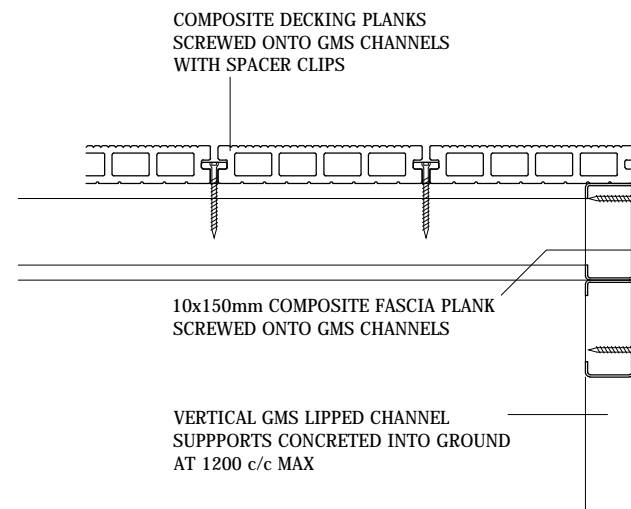
TYPICAL DECKING AND STEPS DETAIL

Scale 1:5

COMPOSITE DECKING PLANKS SCREWED ONTO GMS LIPPED CHANNELS
 AT 350 c/c ON GMS LIPPED SUPPORT CHANNELS AT 1200 c/c MAX



Option 1



Option 2

TYPICAL DECKING EDGE DETAILS

Scale 1:5